

# Hose Adapter Fittings

---

The best partner for value creation  
We support the innovations of customer



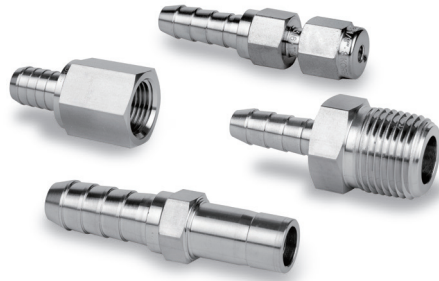
# 08



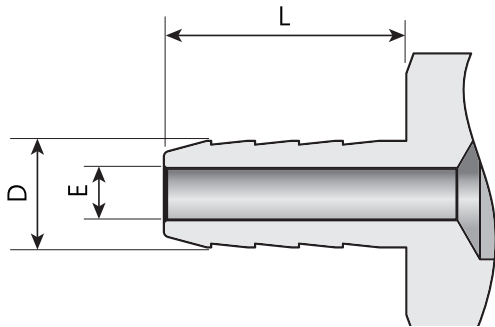
Catalogue No. S-LOK Oct.2020

## Features

- S-LOK Hose Connectors allow easy installation of soft plastic or rubber tubing.
- Hose barb design holds soft plastic or rubber tubing inside diameter securely.
- Reusable to other assemblies
- Stainless steel and brass construction.
- Size range : 1/8 ~ 1 in.
- Can be used without hose clamp in low pressure application.
- Hose clamps may be required for high pressure application.



## Hose Barb Dimensions

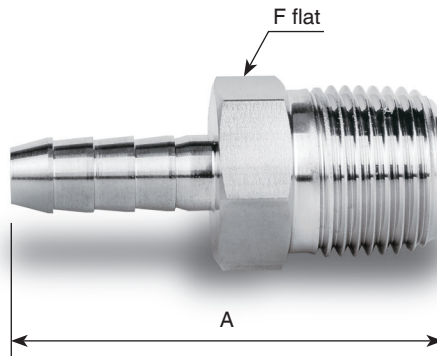


| Nominal<br>Hose I.D. | Width across flat |             |             |
|----------------------|-------------------|-------------|-------------|
|                      | D                 | E           | L           |
| 1/8                  | 0.15 (3.8)        | 0.08 (2.0)  | 0.40 (10.2) |
| 3/16                 | 0.23 (5.8)        | 0.12 (3.0)  | 0.59 (15.0) |
| 1/4                  | 0.30 (7.6)        | 0.19 (4.8)  | 0.79 (20.1) |
| 5/16                 | 0.38 (9.7)        | 0.19 (4.8)  | 0.87 (22.1) |
| 3/8                  | 0.45 (11.4)       | 0.30 (7.6)  | 0.87 (22.1) |
| 1/2                  | 0.60 (15.2)       | 0.38 (9.7)  | 0.94 (23.9) |
| 5/8                  | 0.75 (19.0)       | 0.50 (12.7) | 0.98 (24.9) |
| 3/4                  | 0.90 (22.9)       | 0.63 (16.0) | 1.05 (26.7) |
| 1                    | 1.20 (30.5)       | 0.88 (22.4) | 1.19 (30.2) |

## Ordering Information

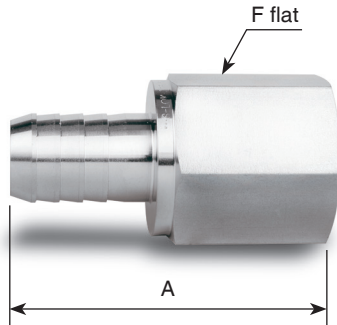
|  |   |  |   |  |   |  |
|--|---|--|---|--|---|--|
| <b>SPHA</b>  | - | <b>4</b>   | - | <b>4T</b>  | - | <b>S6</b>  |
| Fitting Series   |   | Nominal Hose I.D   |   | Connection Size  |   | Material   |
| <ul style="list-style-type: none"> <li>• <b>SHAM</b> : Male Connector</li> <li>• <b>SHAF</b> : Female Connector</li> <li>• <b>SHAT</b> : S-LOK Tube Adapter</li> <li>• <b>SHAS</b> : S-LOK Tube Fitting Connector</li> </ul> |   | <ul style="list-style-type: none"> <li>• <b>2</b> : 1/8"</li> <li>• <b>3</b> : 3/16"</li> <li>• <b>4</b> : 1/4"</li> <li>• <b>5</b> : 5/16"</li> <li>• <b>6</b> : 3/8"</li> <li>• <b>8</b> : 1/2"</li> <li>• <b>10</b> : 5/8"</li> <li>• <b>12</b> : 3/4"</li> <li>• <b>16</b> : 1"</li> </ul> |   | <ul style="list-style-type: none"> <li>• <b>2N</b> : 1/8" NPT</li> <li>• <b>4N</b> : 1/4" NPT</li> <li>• <b>6N</b> : 3/8" NPT</li> <li>• <b>8N</b> : 1/2" NPT</li> <li>• <b>12N</b> : 3/4" NPT</li> <li>• <b>16N</b> : 1" NPT</li> <li>• <b>2T</b> : 1/8" TUBE O.D</li> <li>• <b>4T</b> : 1/4" TUBE O.D</li> <li>• <b>6T</b> : 3/8" TUBE O.D</li> <li>• <b>8T</b> : 1/2" TUBE O.D</li> <li>• <b>12T</b> : 3/4" TUBE O.D</li> <li>• <b>16T</b> : 1" TUBE O.D</li> </ul> |   | <ul style="list-style-type: none"> <li>• <b>S6</b> : 316 Stainless Steel</li> <li>• <b>BS</b> : Brass</li> </ul> |

## Male Connectors



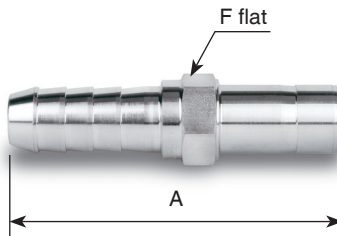
| Ordering Number | End Connections      |             | Dimensions, in. (mm) |             |                         |
|-----------------|----------------------|-------------|----------------------|-------------|-------------------------|
|                 | Nominal<br>Hose I.D. | Male<br>NPT | F<br>Hex flat        | A<br>Length | Min. Inside<br>Diameter |
| SHAM-2-2N       | 1/8                  | 1/8         | 7/16 (11.1)          | 1.08 (27.4) | 0.08 (2.0)              |
| SHAM-2-4N       | 1/8                  | 1/4         | 9/16 (14.2)          | 1.26 (32.0) | 0.08 (2.0)              |
| SHAM-3-2N       | 3/16                 | 1/8         | 7/16 (11.1)          | 1.27 (32.2) | 0.12 (3.0)              |
| SHAM-3-4N       | 3/16                 | 1/4         | 9/16 (14.2)          | 1.45 (36.8) | 0.12 (3.0)              |
| SHAM-4-2N       | 1/4                  | 1/8         | 7/16 (11.1)          | 1.47 (37.3) | 0.19 (4.8)              |
| SHAM-4-4N       | 1/4                  | 1/4         | 9/16 (14.2)          | 1.65 (41.9) | 0.19 (4.8)              |
| SHAM-4-6N       | 1/4                  | 3/8         | 11/16 (17.4)         | 1.66 (42.2) | 0.19 (4.8)              |
| SHAM-4-8N       | 1/4                  | 1/2         | 7/8 (22.2)           | 1.85 (47.0) | 0.19 (4.8)              |
| SHAM-5-2N       | 5/16                 | 1/8         | 7/16 (11.1)          | 1.55 (39.4) | 0.19 (4.8)              |
| SHAM-5-4N       | 5/16                 | 1/4         | 9/16 (14.2)          | 1.73 (43.9) | 0.19 (4.8)              |
| SHAM-5-6N       | 5/16                 | 3/8         | 11/16 (17.4)         | 1.74 (44.2) | 0.19 (4.8)              |
| SHAM-5-8N       | 5/16                 | 1/2         | 7/8 (22.2)           | 1.96 (49.8) | 0.19 (4.8)              |
| SHAM-6-4N       | 3/8                  | 1/4         | 9/16 (14.2)          | 1.73 (43.9) | 0.30 (7.6)              |
| SHAM-6-6N       | 3/8                  | 3/8         | 11/16 (17.4)         | 1.74 (44.2) | 0.30 (7.6)              |
| SHAM-6-8N       | 3/8                  | 1/2         | 7/8 (22.2)           | 1.96 (49.8) | 0.30 (7.6)              |
| SHAM-8-4N       | 1/2                  | 1/4         | 11/16 (17.4)         | 1.80 (45.7) | 0.28 (7.1)              |
| SHAM-8-6N       | 1/2                  | 3/8         | 11/16 (17.4)         | 1.81 (46.0) | 0.38 (9.7)              |
| SHAM-8-8N       | 1/2                  | 1/2         | 7/8 (22.2)           | 2.03 (51.6) | 0.38 (9.7)              |
| SHAM-10-6N      | 5/8                  | 3/8         | 1-1/16 (26.9)        | 1.88 (47.8) | 0.38 (9.7)              |
| SHAM-10-8N      | 5/8                  | 1/2         | 1-1/16 (26.9)        | 2.07 (52.6) | 0.47 (11.9)             |
| SHAM-10-12N     | 5/8                  | 3/4         | 1-1/16 (26.9)        | 2.07 (52.6) | 0.50 (12.7)             |
| SHAM-12-8N      | 3/4                  | 1/2         | 1-1/16 (26.9)        | 2.14 (54.4) | 0.47 (11.9)             |
| SHAM-12-12N     | 3/4                  | 3/4         | 1-1/16 (26.9)        | 2.14 (54.4) | 0.63 (16.0)             |
| SHAM-12-16N     | 3/4                  | 1           | 1-3/8 (34.9)         | 2.43 (61.7) | 0.63 (16.0)             |
| SHAM-16-12N     | 1                    | 3/4         | 1-3/8 (34.9)         | 2.38 (60.5) | 0.63 (16.0)             |
| SHAM-16-16N     | 1                    | 1           | 1-3/8 (34.9)         | 2.57 (65.3) | 0.88 (22.4)             |

## Female Connectors



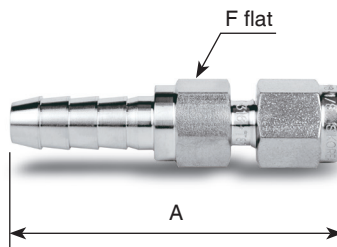
| Ordering Number | End Connections  |            | Dimensions, in. (mm) |             |            |
|-----------------|------------------|------------|----------------------|-------------|------------|
|                 | Nominal Hose I.D | Female NPT | F Hex flat           | A Length    | Diameter   |
| SHAF-2-2N       | 1/8              | 1/8        | 9/16 (14.2)          | 1.11 (28.2) | 0.08 (2.0) |
| SHAF-2-4N       | 1/8              | 1/4        | 3/4 (19.0)           | 1.26 (32.0) | 0.08 (2.0) |
| SHAF-3-2N       | 3/16             | 1/8        | 9/16 (14.2)          | 1.29 (32.8) | 0.12 (3.0) |
| SHAF-3-4N       | 3/16             | 1/4        | 3/4 (19.0)           | 1.44 (36.6) | 0.12 (3.0) |
| SHAF-4-2N       | 1/4              | 1/8        | 9/16 (14.2)          | 1.47 (37.3) | 0.19 (4.8) |
| SHAF-4-4N       | 1/4              | 1/4        | 3/4 (19.0)           | 1.64 (41.7) | 0.19 (4.8) |
| SHAF-4-6N       | 1/4              | 3/8        | 7/8 (22.2)           | 1.71 (43.4) | 0.19 (4.8) |
| SHAF-5-4N       | 5/16             | 1/4        | 3/4 (19.0)           | 1.73 (43.9) | 0.19 (4.8) |
| SHAF-5-6N       | 5/16             | 3/8        | 7/8 (22.2)           | 1.82 (46.2) | 0.19 (4.8) |
| SHAF-6-4N       | 3/8              | 1/4        | 3/4 (19.0)           | 1.69 (42.9) | 0.30 (7.6) |
| SHAF-6-6N       | 3/8              | 3/8        | 7/8 (22.2)           | 1.78 (45.2) | 0.30 (7.6) |
| SHAF-6-8N       | 3/8              | 1/2        | 1-1/16 (26.9)        | 2.03 (51.6) | 0.30 (7.6) |
| SHAF-8-8N       | 1/2              | 1/2        | 1-1/16 (26.9)        | 2.13 (54.1) | 0.38 (9.7) |
| SHAF-8-8N       | 1/2              | 1/2        | 1-1/16 (26.9)        | 2.13 (54.1) | 0.38 (9.7) |

## S-LOK Tube Adapters



| Ordering Number | End Connections  |          | Dimensions, in. (mm) |             |                      |
|-----------------|------------------|----------|----------------------|-------------|----------------------|
|                 | Nominal Hose I.D | Tube O.D | F Hex flat           | A Length    | Min. Inside Diameter |
| SHAT-2-2T       | 1/8              | 1/8      | 5/16 (7.9)           | 1.36 (34.5) | 0.08 (2.0)           |
| SHAT-2-4T       | 1/8              | 1/4      | 3/8 (9.5)            | 1.45 (36.8) | 0.08 (2.0)           |
| SHAT-4-4T       | 1/4              | 1/4      | 7/16 (11.1)          | 1.85 (47.0) | 0.19 (4.8)           |
| SHAT-4-6T       | 1/4              | 3/8      | 7/16 (11.1)          | 1.91 (48.5) | 0.19 (4.8)           |
| SHAT-5-4T       | 5/16             | 1/4      | 7/16 (11.1)          | 1.93 (49.0) | 0.19 (4.8)           |
| SHAT-6-4T       | 3/8              | 1/4      | 9/16 (14.2)          | 1.93 (49.0) | 0.17 (4.3)           |
| SHAT-6-6T       | 3/8              | 3/8      | 9/16 (14.2)          | 1.99 (50.5) | 0.27 (6.9)           |
| SHAT-6-8T       | 3/8              | 1/2      | 5/8 (15.8)           | 2.25 (57.2) | 0.30 (7.6)           |
| SHAT-8-6T       | 1/2              | 3/8      | 11/16 (17.4)         | 2.06 (52.3) | 0.27 (6.9)           |
| SHAT-8-8T       | 1/2              | 1/2      | 11/16 (17.4)         | 2.32 (58.9) | 0.38 (9.7)           |
| SHAT-12-12T     | 3/4              | 3/4      | 1-3/16 (30.1)        | 2.49 (63.3) | 0.58 (14.7)          |
| SHAT-16-16T     | 1                | 1        | 1-3/8 (34.9)         | 3.05 (77.5) | 0.80 (20.3)          |

## S-LOK Tube Fitting Connectors



| Ordering Number | End Connections  |          | Dimensions, in. (mm) |             |                      |
|-----------------|------------------|----------|----------------------|-------------|----------------------|
|                 | Nominal Hose I.D | Tube O.D | F Hex flat           | A Length    | Min. Inside Diameter |
| SHAS-2-2T       | 1/8              | 1/8      | 7/16 (11.1)          | 1.42 (36.1) | 0.08 (2.0)           |
| SHAS-4-2T       | 1/4              | 1/8      | 7/16 (11.1)          | 1.81 (46.0) | 0.09 (2.3)           |
| SHAS-4-4T       | 1/4              | 1/4      | 9/16 (14.2)          | 1.92 (48.8) | 0.19 (4.8)           |
| SHAS-6-4T       | 3/8              | 1/4      | 9/16 (14.2)          | 1.99 (50.6) | 0.19 (4.8)           |
| SHAS-6-6T       | 3/8              | 3/8      | 3/4 (19.0)           | 2.06 (52.3) | 0.28 (7.1)           |
| SHAS-8-8T       | 1/2              | 1/2      | 7/8 (22.2)           | 2.24 (56.9) | 0.38 (9.7)           |